



Rio Rubber Track™

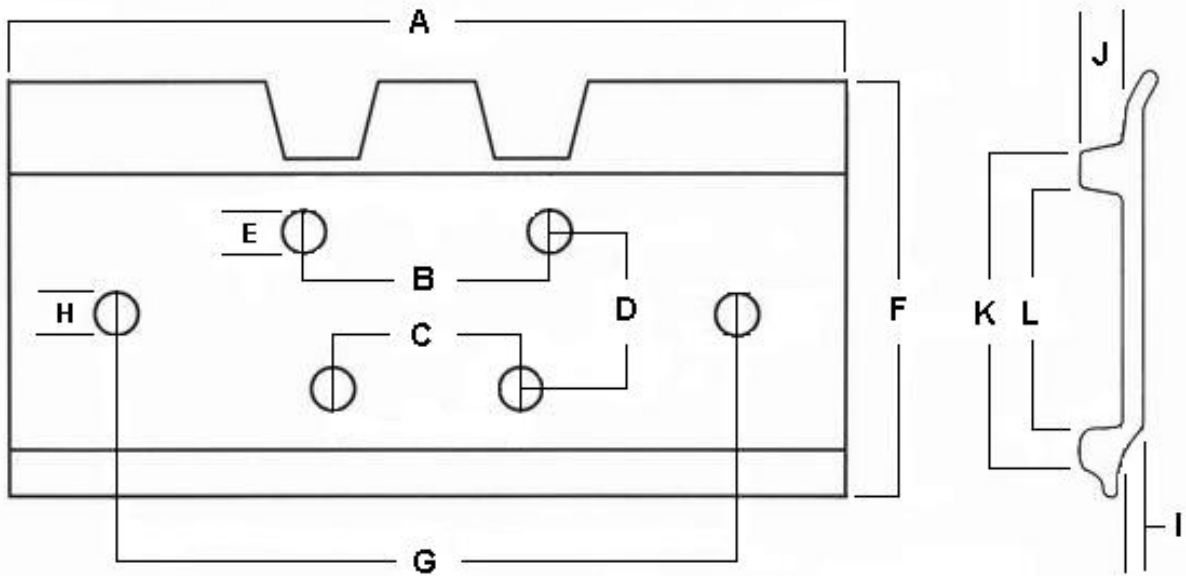
# Rio Rubber Track, Inc.

Premium Rubber & Carbide Wear-Parts for  
Heavy Construction Equipment

43300 Business Park Drive – # A103, Temecula, CA 92590 • P: 855-474-6872 • F: 951-240-3440 • www.riotrack.com • jeff@riotrack.com

**TO:**

## Double Bar GROUSER - WORKSHEET



<b>MACHINE:</b>		<b>CHAIN LINK PITCH:</b>	
<b>EVERPAD™ #:</b>		<b>QTY – LINKS x TRACKS:</b>	

	IN	MM		IN	MM		IN	MM
<b>A:</b>			<b>F:</b>			<b>K:</b>		
<b>B:</b>			<b>G:</b>			<b>L:</b>		
<b>C:</b>			<b>H:</b>					
<b>D:</b>			<b>I:</b>					
<b>E:</b>			<b>J:</b>					